



# 慈溪市万捷电子有限公司

## CIXI WANJIE ELECTRONIC CO., LTD

### REVISION RECORD

REV.	DESCRIPTION	ECN No.	APPROVED	DATE



### UL/CUL 技术参数

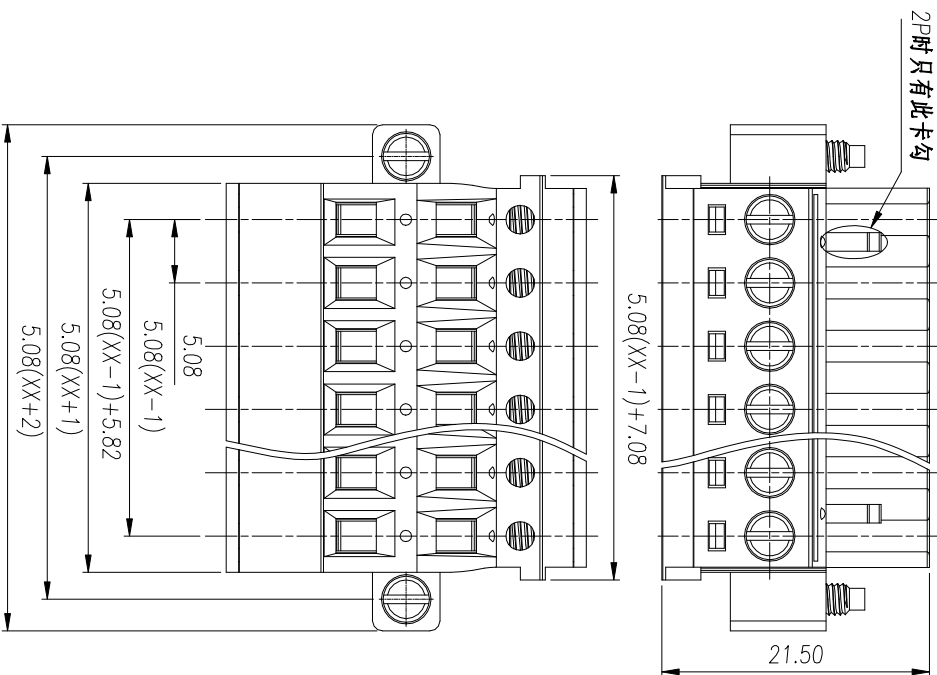
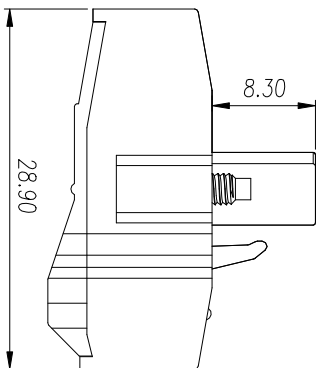
UL/CUL Technical Data	等级	B	C	D
额定电压 Rated Voltage	[V]	300	-	300
额定电流 Rated Current	[A]	15	-	10

接线范围 Wire Range	[AWG]	28-12
单/多芯线 Solid/Stranded	[AWG]	
耐压 Withstanding Voltage		1600V/1Min

IEC 技术参数 IEC Technical Data	EC61994
过电压类别 Overvoltage Category	III IIII II
污染等级 Contamination Class	3 2 2
额定电压 Rated Voltage	[V] 250 320 630
额定电流 Rated Current	[A] 12 12 12
额定冲击电压 Impulse withstand voltage	[kV] 4.0 4.0 4.0

导线截面 Conductor cross section	[mm <sup>2</sup> ]	0.2-2.5
导线类型 Solid/ flexible		
材料 Material		
绝缘材料 Insulation Material		PA66
阻燃等级 Inflammability		UL94V-0
导体材料 Conductor Material		铜合金 Copper alloy
导体表面镀层 Conductive Coating		镀锡 Sn Plated

一般参数 Other Data		
间距 Pitch / 极数 Poles	[mm] / [P]	5.08 / 02-24
引线长度 Shipping Length	[mm]	7-8
螺丝 Screw/扭矩 Torque(Max)	[N.m]	M3.0/5
工作温度 Operating temperature	[°C]	40-105
焊接温度 Soldering temperature	[°C]	-
引脚/尺寸 Pin Dimensions	[mm]	-
PCB孔径 PCB Hole Diameter	[mm]	-



linear dimension(Tolerances Standard GB/T 14486-2008)

tolerance	±0.20	±0.30	±0.50	±0.70	±1.00	±1.30	±1.60	0.10	0.30	0.60
variable range	6 to 10	10 to 30	30 to 60	60 to 100	100 to 160	160 to 200	200 to 250	10 to 100	10 to 100	100 to 100

单位 / UNITS mm 尺寸 / SIZE A4 比例 / SCALE 2:1

第三视图/THIRD ANGLE PROJECTION 版本 / REV V0



慈溪市万捷电子有限公司  
CIXI WANJIE ELECTRONIC CO., LTD

名称 / TITLE WJ2EDGKHM-5.08-XXP-1YY-00A