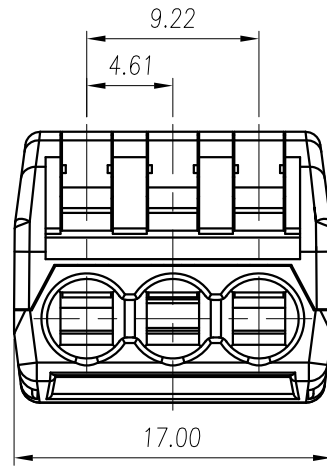
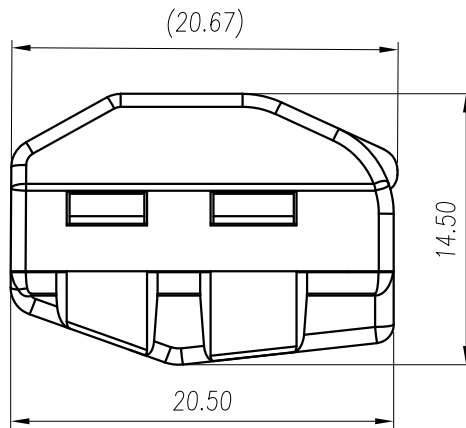
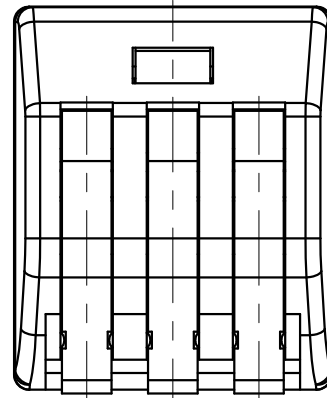
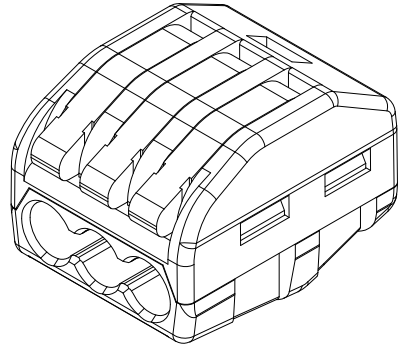


慈溪市万捷电子有限公司

CIXI WANJIE ELECTRONIC CO., LTD

REVISION RECORD

REV.	DESCRIPTION	ECN No.	APPROVED	DATE



UL/CUL 技术参数		UL/CUL Technical Data		
等级	Use Group	B	C	D
额定电压	Rated Voltage [V]	600	-	-
额定电流	Rated Current [A]	20	-	-
接线范围	Wire Range	28-12		
单/多芯线	Solid/Stranded [AWG]			
耐电压	Withstanding Voltage	2200V/1Min		
IEC 技术参数		IEC Technical Data		
过电压类别	Overvoltage Category	III	III	II
污染等级	Contamination Class	3	2	2
额定电压	Rated Voltage [V]	-	-	400
额定电流	Rated Current [A]	-	-	32
额定冲击电压	Impulse withstand voltagea [KV]	-	-	4.0
导线截面积	Conductor cross section	0.2-2.5		
硬质/柔性导线	Solid/ flexible [mm ²]			
材料		Material		
绝缘材料	Insulation Material	PA66		
阻燃等级	Infammability	UL94V-0		
导体材料	Contactore Material	铜合金 Copper alloy		
导体表面镀层	Contactive Coating	镀锡 Sn Plated		
一般参数		Other Data		
间距 / 极数	Pitch / Poles [mm] / [P]	4.61 / 03		
剥线长度	Stripping Length [mm]	9~10		
螺丝 / 扭矩	Screw/ Torque(Max) [N.m]	-		
工作温度	Operating temperatur [°C]	-40~105		
引针尺寸	Pin Dimensions [mm]	-		
PCB板孔径	PCB Hole Diameter [mm]	-		

linear dimension(Tolerances Standard GB/T 14486-2008)



variable range	to 6	over 6 to 10	over 10 to 30	over 30 to 60	over 60 to 100	over 100 to 160	over 160 to	to 10	over 10 to 100	over 100 to
tolerance	±0.20	±0.30	±0.50	±0.70	±1.00	±1.30	±1.60	0.10	0.30	0.60

单位 / UNITS	mm	尺寸 / SIZE	A4	比例 / SCALE	5:2	第三视角 / THIRD ANGLE PROJECTION	版 / REV	V0
慈溪市万捷电子有限公司 CIXI WANJIE ELECTRONIC CO., LTD						名称 / TITLE WJ258-03P-1YY-00A		