

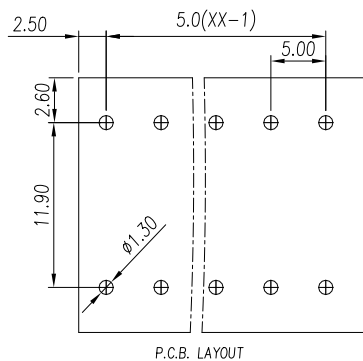


慈溪市万捷电子有限公司

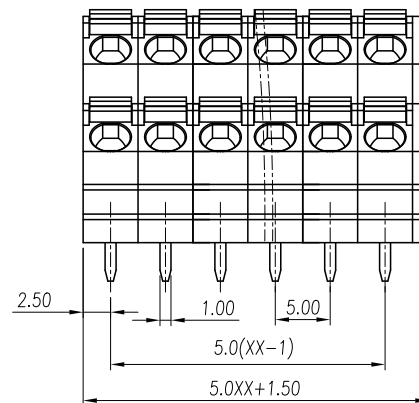
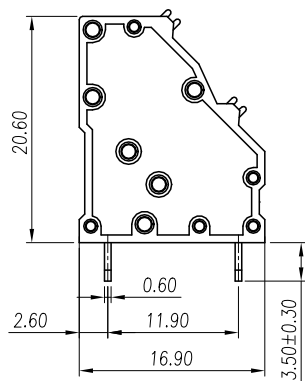
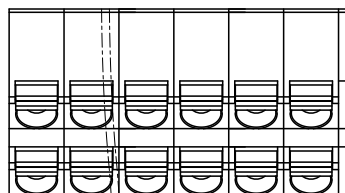
CIXI WANJIE ELECTRONIC CO., LTD

REVISION RECORD

REV.	DESCRIPTION	ECN No.	APPROVED	DATE



P.C.B. LAYOUT



UL/CUL 技术参数		UL1059		
UL/CUL Technical Data		B	C	D
等级 Use Group		B	C	D
额定电压 Rated Voltage [V]		300	-	300
额定电流 Rated Current [A]		10	-	10
接线范围 Wire Range		28-16		
单/多芯线 Solid/Stranded [AWG]		28-16		
耐压 Withstanding Voltage		1600V/1Min		
IEC 技术参数		IEC60947-4		
IEC Technical Data		III	III	II
过电压类别 Overtoltage Category		III	III	II
污染等级 Contamination Class		3	2	2
额定电压 Rated Voltage [V]		320	320	320
额定电流 Rated Current [A]		17.5	17.5	17.5
额定冲击电压 Impulse withstand voltagea [KV]		4.0		
导线截面积 Conductor cross section		0.2-1.5		
硬质/柔性导线 Solid/flexible [mm ²]		0.2-1.5		
材料 Material				
绝缘材料 Insulation Material		PA66		
阻燃等级 Imflammability		UL94V-0		
导体材料 Contactor Material		铜合金 Copper alloy		
导体镀层 Contactive Coating		镀锡 Sn Plated		
一般参数 Other Data				
间距 Pitch [mm]		5.0		
极数 Poles [P]		2*01-2*24		
剥线长度 Stripping Length [mm]		8-9		
焊锡温度 Soldering temperature [°C]		260°C/5S		
引针尺寸 Pin Dimensions		0.6*1.0		
PCB板孔径 PCB Hole Diameter		Ø1.3		
工作温度 Operating temperatur [°C]		-40~105		

linear dimension(Tolerances Standard GB/T 14486-2008)

variable range	to 6	over 6 to 10	over 10 to 30	over 30 to 60	over 60 to 100	over 100 to 160	to 10	over 10 to 100	over 100 to 0.60	
tolerance	±0.20	±0.30	±0.50	±0.70	±1.00	±1.30	±1.60	0.10	0.30	0.60

单位 / UNITS	mm	尺寸 / SIZE	A4	比例 / SCALE	1:5.1	第三视角 / THIRD ANGLE PROJECTION	版本 / REV	V0
慈溪市万捷电子有限公司 CIXI WANJIE ELECTRONIC CO., LTD						名称 / TITLE	WJ252T2-5.0-2*XXP-1YY-00A	