

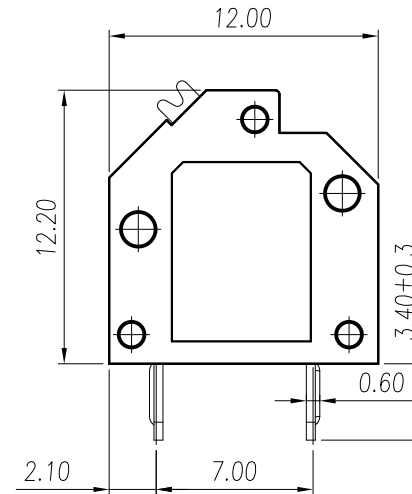
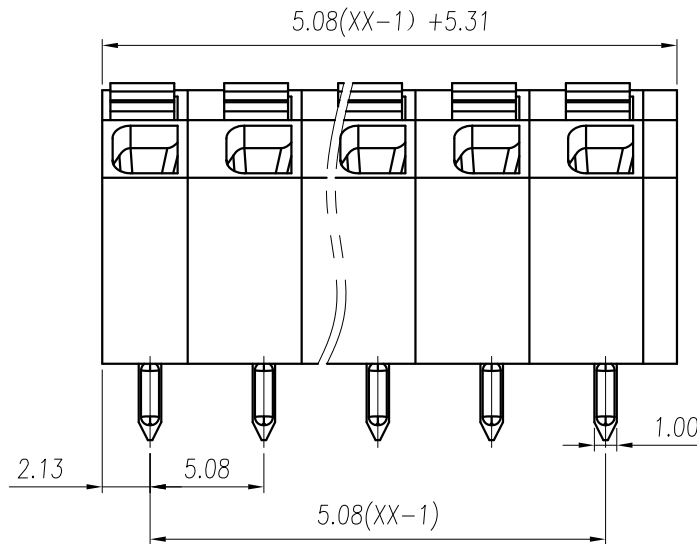
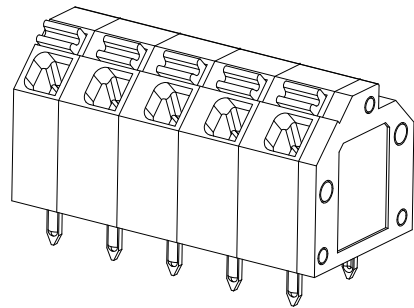
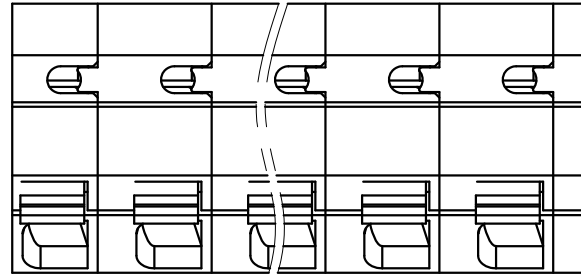
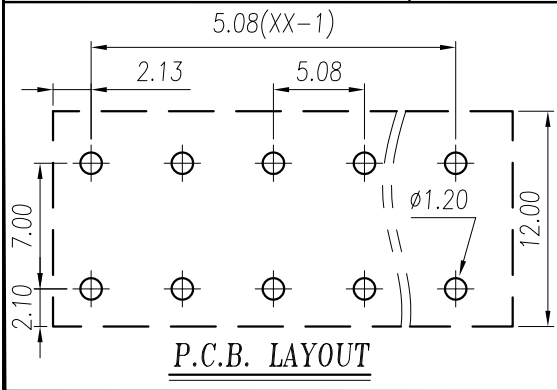


慈溪市万捷电子有限公司

CIXI WANJIE ELECTRONIC CO., LTD

REVISION RECORD

REV.	DESCRIPTION	ECN No.	APPROVED	DATE



UL/CUL 技术 参数	UL/CUL Technical Data			cULus		
等级	Use Group	B	C	D		
额定电压	Rated Voltage [V]	300	-	-		
额定电流	Rated Current [A]	10	-	-		
接线范围	Wire Range	26-16				
单/多芯线	Solid/Stranded [AWG]					
耐电压	Withstanding Voltage	1600V/1Min				
IEC 技术参数	IEC60947-7-4					
过电压类别	Overvoltage Category	III	III	II		
污染等级	Contamination Class	3	2	2		
额定电压	Rated Voltage [V]	160	160	320		
额定电流	Rated Current [A]	9	9	9		
额定冲击电压	Impulse withstand voltage _a [KV]	2.5	2.5	2.5		
导线截面积	Conductor cross section	0.2-1.5				
硬质/柔性导线	Solid/flexible [mm ²]					
材料	Material					
绝缘材料	Insulation Material	PA66				
阻燃等级	Imflamability	UL94V-0				
导体材料	Contactur Material	铜合金 Copper alloy				
导体表面镀层	Contactive Coating	镀锡 Sn Plated				
一般参数	Other Data					
间距	Pitch / 极数 Poles [mm] / [P]	5.08/ 02~24				
剥线长度	Stripping Length [mm]	10				
螺丝	Screw/扭矩 Torque(Max) [N.m]	/				
工作温度	Operating temperatur [°C]	-40~105				
引针尺寸	Pin Dimensions [mm]	0.6*1.0				
PCB板孔径	PCB Hole Diameter [mm]	Ø1.2				

linear dimension(Tolerances Standard GB/T 14486-2008)



variable range	to 6	over 6 to 10	over 10 to 30	over 30 to 60	over 60 to 100	over 100 to 160	to 10	over 10 to 100	over 100 to 6.0	
tolerance	±0.20	±0.30	±0.50	±0.70	±1.00	±1.30	±1.60	0.10	0.30	0.60

单位 / UNITS	mm	尺寸 / SIZE	A4	比例 / SCALE	3:1	第三视角 / THIRD ANGLE PROJECTION	版本 / REV	V0
慈溪市万捷电子有限公司 CIXI WANJIE ELECTRONIC CO., LTD						名称 / TITLE WJ249-5.08-XXP-1YY-00A		