

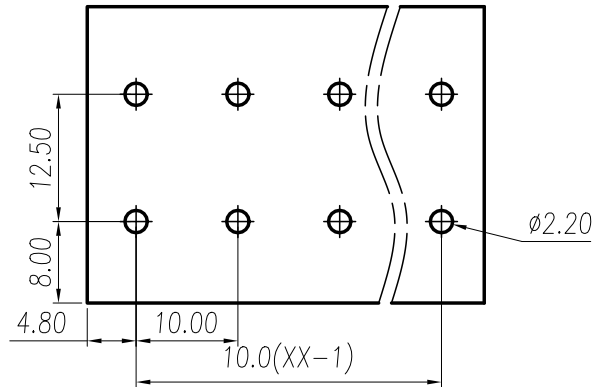


慈溪市万捷电子有限公司

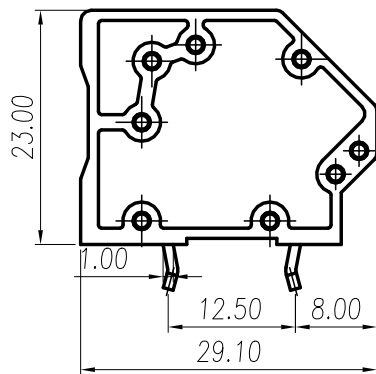
CIXI WANJIE ELECTRONIC CO., LTD

REVISION RECORD

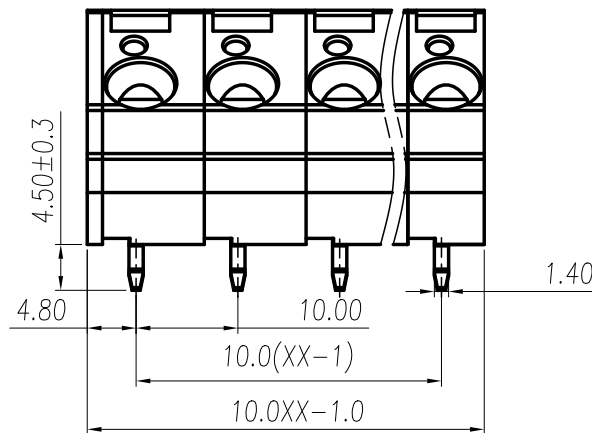
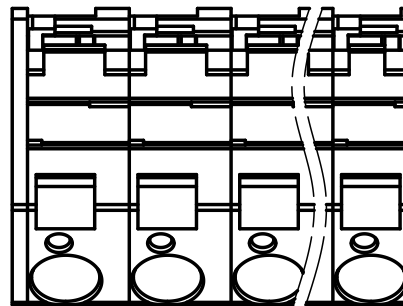
REV.	DESCRIPTION	ECN No.	APPROVED	DATE



P.C.B. LAYOUT



WITHOUT COVER



UL/CUL 技术参数				
UL/CUL Technical Data				
等级	Use Group	B	C	D
额定电压	Rated Voltage [V]	300	150	300
额定电流	Rated Current [A]	30	30	10
接线范围	Wire Range	24-10		
单/多芯线	Solid/Stranded [AWG]	24-10		
耐电压	Withstanding Voltage	1600V/1Min		
IEC 技术参数				
IEC Technical Data				
过电压类别	Overvoltage Category	III	III	II
污染等级	Contamination Class	3	2	2
额定电压	Rated Voltage [V]	630	1000	1000
额定电流	Rated Current [A]	41	41	41
额定冲击电压	Impulse withstand voltagea [KV]	8.0	8.0	8.0
导线截面积	Conductor cross section	0.2-6.0		
硬质/柔性导线	Solid/flexible [mm ²]	0.2-6.0		
材料				
绝缘材料	Insulation Material	PA		
阻燃等级	Imflamability	UL94V-0		
导体材料	Contactore Material	铜合金 Copper alloy		
导体镀层	Contactive Coating	镀锡 Sn Plated		
一般参数				
间距	Pitch [mm]	10.0		
极数	Poles [P]	02-12		
剥线长度	Stripping Length [mm]	11-12		
螺丝	Screw	-		
扭矩	Torque(Max) [N.m]	-		
工作温度	Operating temperatur [°C]	-40-105		

linear dimension(Tolerances Standard GB/T 14486-2008)										
variable range	to 6	over 6 to 10	over 10 to 30	over 30 to 60	over 60 to 100	over 100 to 160	to 10	over 10 to 100	over 100 to	
tolerance	±0.20	±0.30	±0.50	±0.70	±1.00	±1.30	±1.60	0.10	0.30	0.60

单位 / UNITS	mm	尺寸 / SIZE	A4	比例 / SCALE	3:2	第三视角 / THIRD ANGLE PROJECTION	版本 / REV	V0
						名称 / TITLE	WJ246-10.0-XXP-1YY-00A	
						慈溪市万捷电子有限公司 CIXI WANJIE ELECTRONIC CO., LTD		