

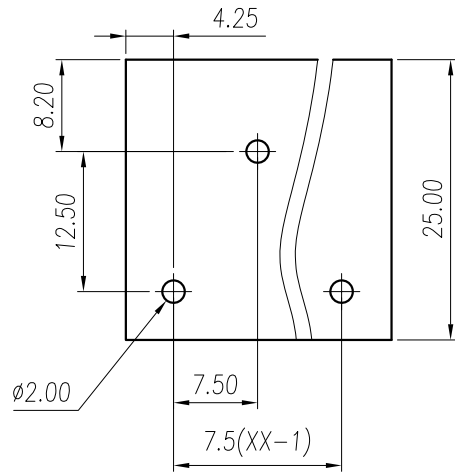


# 慈溪市万捷电子有限公司

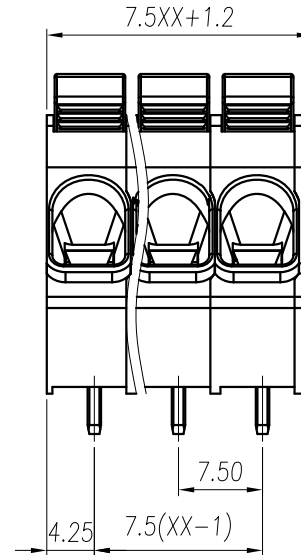
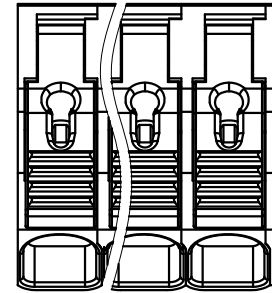
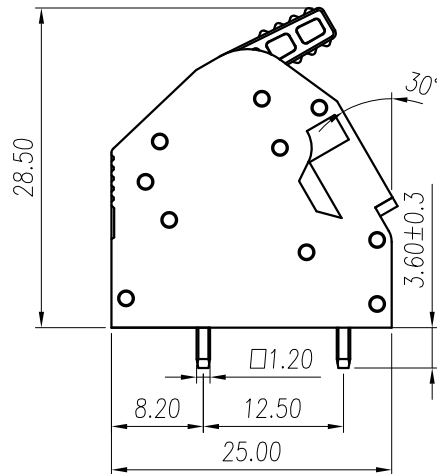
## CIXI WANJIE ELECTRONIC CO., LTD

### REVISION RECORD

REV.	DESCRIPTION	ECN No.	APPROVED	DATE



P.C.B. LAYOUT



UL/CUL 技术参数		UL/CUL Technical Data		
等级	Use Group	B	C	D
额定电压	Rated Voltage [V]	600	600	600
额定电流	Rated Current [A]	27	27	5
接线范围	Wire Range	10-24		
单/多芯线	Solid/Stranded [AWG]			
耐电压	Withstanding Voltage	2200V/1Min		
IEC 技术参数		IEC60947-7-4		
IEC Technical Data				
过电压类别	Overvoltage Category	III	III	II
污染等级	Contamination Class	3	2	2
额定电压	Rated Voltage [V]	1000	1000	1000
额定电流	Rated Current [A]	41	41	41
额定冲击电压	Impulse withstand voltage [KV]	8.0	8.0	6.0
导线截面积	Wire cross section	0.2~6		
硬质/柔性导线	Solid/flexible [mm <sup>2</sup> ]			
材料				
绝缘材料	Insulation Material	PA66		
阻燃等级	Flammability	UL94V-0		
导体材料	Conductor Material	铜合金 Copper alloy		
导体表面镀层	Conductor Plating	镀锡 Sn Plated		
一般参数				
间距	Pitch / 极数 Poles [mm] / [P]	7.5/01~24		
剥线长度	Stripping Length [mm]	15~16		
螺丝	Screw/扭矩 Torque(Max) [N.m]	/		
工作温度	Operating temperature [°C]	-40~105		
引针尺寸	Pin Dimensions [mm]	1.2*1.2		
PCB板孔径	PCB Hole Diameter [mm]	Ø2.0		

linear dimension(Tolerances Standard GB/T 14486-2008)

variable range	to 6	over 6 to 10	over 10 to 30	over 30 to 60	over 60 to 100	over 100 to 160	over 160 to	to 10	over 10 to 100	over 100 to
tolerance	±0.20	±0.30	±0.50	±0.70	±1.00	±1.30	±1.60	0.10	0.30	0.60

单位 / UNITS	mm	尺寸 / SIZE	A4	比例 / SCALE	1:5.1	第三视角 / THIRD ANGLE PROJECTION	版本 / REV	V0
慈溪市万捷电子有限公司 CIXI WANJIE ELECTRONIC CO., LTD						名称 / TITLE <b>WJ240S-7.5-XXP-1YY-00A</b>		