

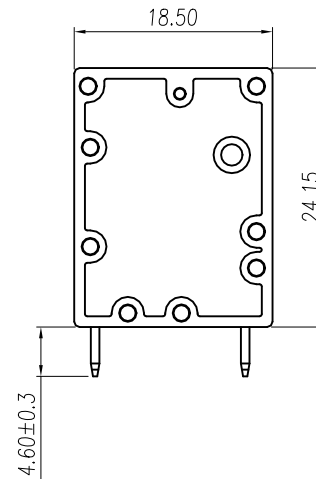
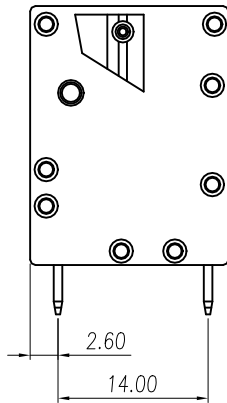
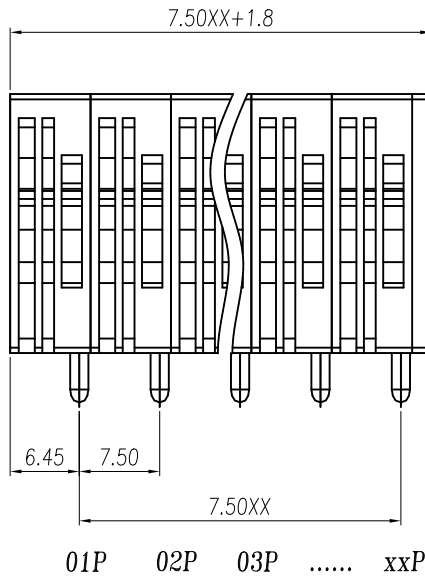
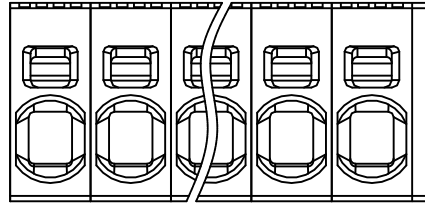
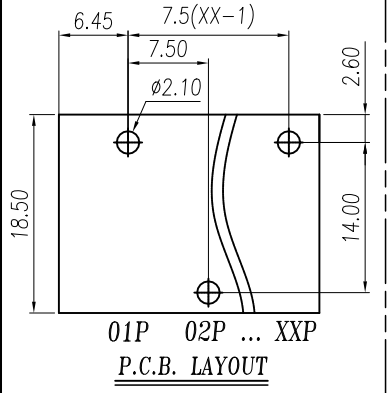


# 慈溪市万捷电子有限公司

## CIXI WANJIE ELECTRONIC CO., LTD

### REVISION RECORD

REV.	DESCRIPTION	ECN No.	APPROVED	DATE



UL/CUL 技术参数		UL/CUL Technical Data			
等级	Use Group	B	C	D	
额定电压	Rated Voltage [V]	600	600	600	
额定电流	Rated Current [A]	40	40	5	
接线范围	Wire Range	24-8			
单/多芯线	Solid/Stranded [AWG]				
耐电压	Withstanding Voltage	2200V/1Min			
IEC 技术参数		IEC60947-7-4			
IEC Technical Data					
过电压类别	Overvoltage Category	III	III	II	
污染等级	Contamination Class	3	2	2	
额定电压	Rated Voltage [V]	800	1000	1000	
额定电流	Rated Current [A]	41	41	41	
额定冲击电压	Impulse withstand voltagea [KV]	8.0	8.0	6.0	
导体截面积	Conductor cross section	0.2~10/0.2~6			
硬质/柔性导线	Solid/flexible [mm <sup>2</sup> ]				
材料		Material			
绝缘材料	Insulation Material	PA66			
阻燃等级	Inflammability	UL94V-0			
导体材料	Contacting Material	铜合金 Copper alloy			
导体表面镀层	Contactive Coating	镀锡 Sn Plated			
一般参数		Other Data			
间距	Pitch /极数 Poles [mm] / [P]	7.5/1~18			
剥线长度	Stripping Length [mm]	15			
螺丝	Screw 扭矩 Torque(Max) [N.m]	/			
工作温度	Operating temperatur [°C]	-40~105			
引针尺寸	Pin Dimensions [mm]	1.7*0.8			
PCB板孔径	PCB Hole Diameter [mm]	Ø2.1			

linear dimension(Tolerances Standard GB/T 14486-2008)							—	∠	⊥	
variable range	to 6	over 6 to 10	over 10 to 30	over 30 to 60	over 60 to 100	over 100 to 160	to 10	over 10 to 100	over 100 to	
tolerance	±0.20	±0.30	±0.50	±0.70	±1.00	±1.30	±1.60	0.10	0.30	0.60

单位 / UNITS	mm	尺寸 / SIZE	A4	比例 / SCALE	1.5:1	第三视角 / THIRD ANGLE PROJECTION	版本 / REV	V0
慈溪市万捷电子有限公司 CIXI WANJIE ELECTRONIC CO., LTD							名称 / TITLE	WJ239V-7.5-XXP-1YY-00A