

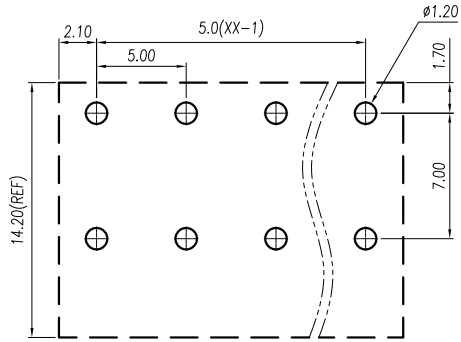


# 慈溪市万捷电子有限公司

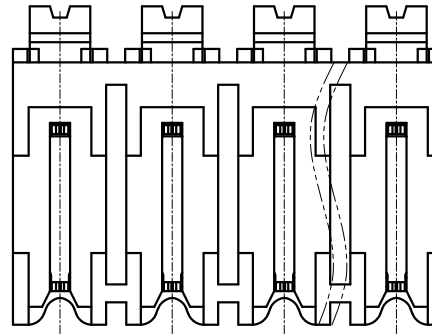
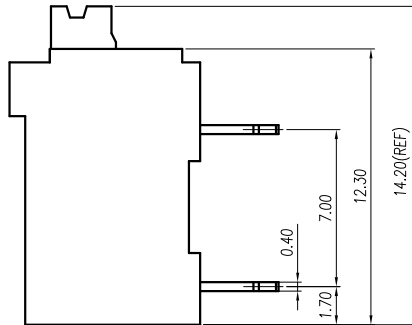
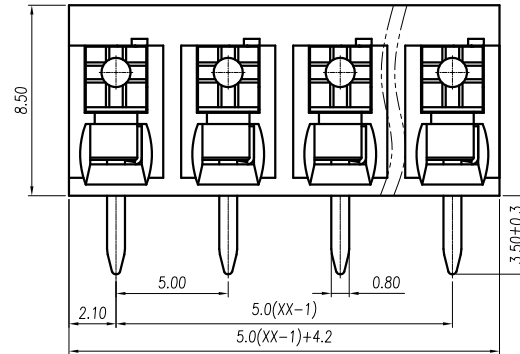
## CIXI WANJIE ELECTRONIC CO., LTD

### REVISION RECORD

REV.	DESCRIPTION	ECN No.	APPROVED	DATE



P.C.B. LAYOUT



UL/CUL 技术 参数		UL/CUL Technical Data			cULus
等级	Use Group	B	C	D	
额定电压	Rated Voltage [V]	300	-	300	
额定电流	Rated Current [A]	10	-	10	
接线范围	Wire Range	24~16			
单/多芯线	Solid/Stranded [AWG]				
耐电压	Withstanding Voltage	1600V/1Min			
IEC 技术参数		IEC60947-7-4			
IEC Technical Data					
过电压类别	Overvoltage Category	III	III	II	
污染等级	Contamination Class	3	2	2	
额定电压	Rated Voltage [V]	250	320	500	
额定电流	Rated Current [A]	17.5	17.5	17.5	
额定冲击电压	Impulse withstand voltage [KV]	4.0	4.0	4.0	
导线截面积	Wire cross section	0.2~1.5			
硬质/柔性导线	Solid/flexible [mm <sup>2</sup> ]				
材料		Material			
绝缘材料	Insulation Material	LCP			
阻燃等级	Flammability	UL94V-0			
导体材料	Conductor Material	铜合金 Copper alloy			
导体表面镀层	Conductor Plating	镀锡 Sn Plated			
一般参数		Other Data			
间距	Pitch / 极数 Poles [mm] / [P]	5.0/2-24			
剥线长度	Stripping Length [mm]	7-8			
螺丝	Screw/扭矩 Torque(Max) [N.m]	-			
工作温度	Operating temperature [°C]	-40~+130			
焊锡温度	Soldering temperature [°C]	285 /10S			
引针尺寸	Pin Dimensions [mm]	0.8*0.4			
PCB板孔径	PCB Hole Diameter [mm]	Ø1.2			

linear dimension(Tolerances Standard GB/T 14486-2008)

variable range	to 6	over 6 to 10	over 10 to 30	over 30 to 60	over 60 to 100	over 100 to 160	tolerance	0.10	0.30	0.60
tolerance	±0.20	±0.30	±0.50	±0.70	±1.00	±1.30	±1.60	0.10	0.30	0.60

单位 / UNITS	mm	尺寸 / SIZE	A4	比例 / SCALE	3:1	第三视角 / THIRD ANGLE PROJECTION	版本 / REV	V0
慈溪市万捷电子有限公司 CIXI WANJIE ELECTRONIC CO., LTD						名称 / TITLE WJ212R-THR-5.0-XXP-1YY-00A		